

VTRON's advanced narrow-bezel, LCD Display Wall System. With the extremely narrow bezels, ranging from 1.7mm to 3.5mm, for video wall display, the near-seamless picture spreads across multiple displays panels shall create impressive and stunning image and video performance for audience. LCD display with full high definition 1080P resolution engages a number of innovative features for wide range 24/7 applications. It is the high-quality commercial- and professional-grade digital video wall solutions and are ideal for dynamic digital signage and informational video wall.



## FEATURES AND ADVANTAGES

- ✓ High performance of SPVA and IPS panels
- ✓ Size available are 46", 49" and 55" LCD Displays
- ✓ Ultra-Narrow Bezel Design Create a near-seamless video wall with minimal gap ranging from 1.7mm to 3.5mm
- ✓ Industrial grade Power Supplies and Electronic Components
- ✓ Multiple Input ports – HDMI ×1, DVI×1, VGA×1, VIDEO×4, YPbPr×1, S-VIDEO×1
- ✓ Different option for the Brightness, from 450cd/m<sup>2</sup> to 700cd/m<sup>2</sup>, for different applications.
- ✓ No Irreversible Burn-in
- ✓ Slim Design for Saving Space with different option of mounting facilities
- ✓ IP5x dust proof equipment

# 46" SPECIFICATIONS

Resolution: 1920\*1080

Pixel Pitch: 0.53mm\*0.53mm

Brightness: 700cd/m<sup>2</sup> or 500cd/m<sup>2</sup>

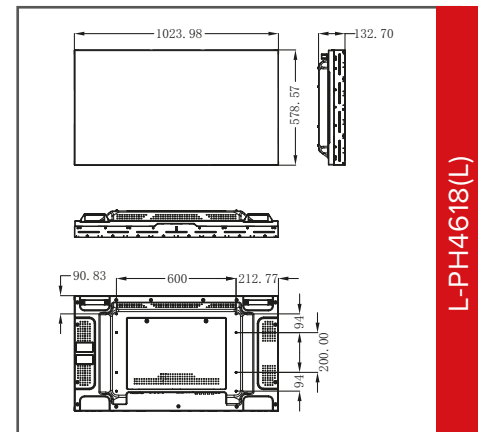
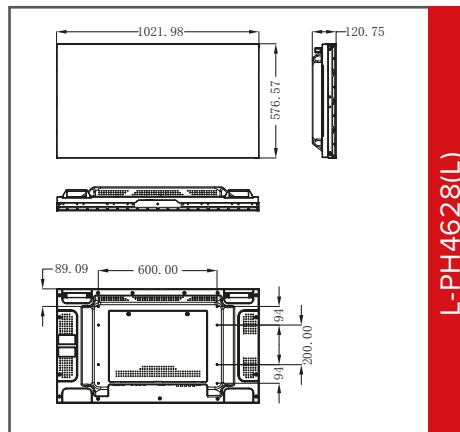
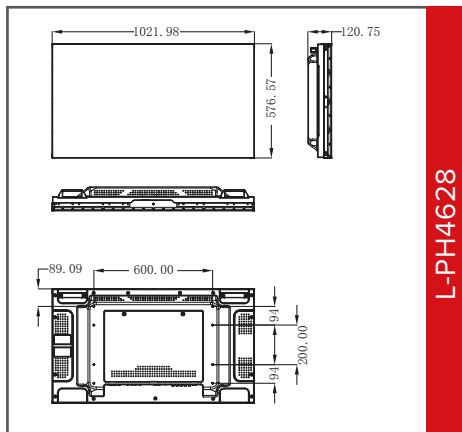
Contrast: 3500:1

Response: 8ms

Bezels: 1.7mm, 3.5mm



	L-PH4628	L-PH4628 (L)	L-PH4618 (L)
<b>Operating parameters</b>			
Screen size (diagonal)	46"		
Panel type	SPVA		
Resolution	1920×1080		
Backlight	Direct LED		
Pixel pitch (HxV)	0.53025 x 0.53025mm		
Brightness (typical)	700cd/m <sup>2</sup>	500cd/m <sup>2</sup>	500cd/m <sup>2</sup>
Contrast ratio (typical)	3500:1		
Display colours	256 - 16.7 million		
Response time (typical)	8 ms		
Viewing angle (H/V) (typical)	178° / 178°		
<b>Physical</b>			
Dimensions (WxHxD)	1021.98 × 576.57 ×120.75mm		1023.98 × 578.57 ×132.7mm
Screen dimension (WxH)	1018.08×572.67mm		
Weight	21kg		
Bezel width	3.5mm		5.7mm
<b>Signal interface</b>			
Inputs	Video	VIDEO×4, YPbPr×1, S-VIDEO×1	
	RGB	VGA×1, DVI×1	
	HDMI	HDMI×1	
<b>Control port</b>			
Control input	RS232		
Control output	RS232		
<b>Power supply</b>			
AC voltage	100 - 240V		
Frequency	50 - 60Hz		
Power consumption (typical)	120W	100W	130W
<b>Working conditions</b>			
Temperature	0 - 40°C		
Relative humidity	20% - 85%, non-condensing		
<b>Storage conditions</b>			
Temperature	20 - 60°C		
Relative humidity	10% - 85%		



Unit: mm

# 49" SPECIFICATIONS

Resolution: 1920\*1080

Pixel Pitch: 0.56mm\*0.56mm

Brightness: 500cd/m<sup>2</sup>

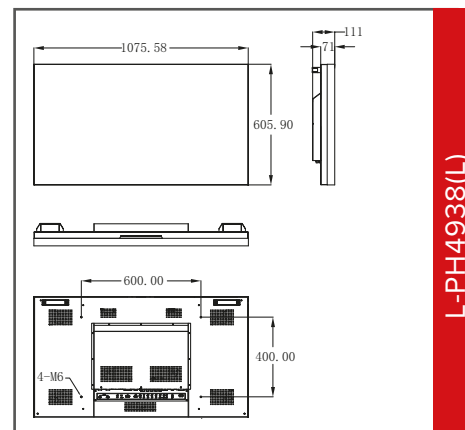
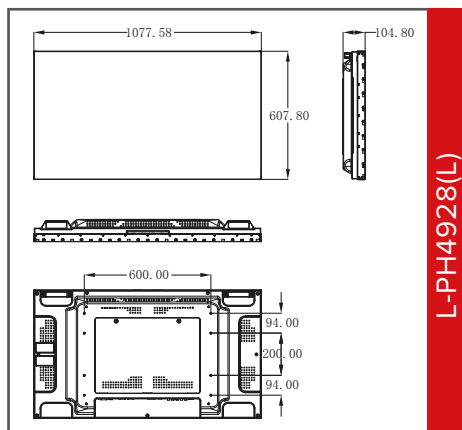
Contrast: 1400:1

Response: 12ms

Bezels: 1.8mm, 3.5mm



	L-PH4928 (L)	L-PH4938 (L)
<b>Operating parameters</b>		
Screen size (diagonal)	49"	
Panel type	IPS	
Resolution	1920×1080	
Backlight	Direct LED	
Pixel pitch (HxV)	0.55926 x 0.5592	0.55926 x 0.55926
Brightness (typical)	450cd/m <sup>2</sup>	500cd/m <sup>2</sup>
Contrast ratio (typical)	1300 : 1	1300 : 1
Display colours	10b-1.07Billion	10b-1.07Billion
Response time (typical)	8 ms	
Viewing angle (H/V) (typical)	178° / 178°	
<b>Physical</b>		
Dimensions (WxHxD)	1077.6 × 607.8 × 104.8mm	1075.6 × 605.8 × 111.9mm
Screen dimension (WxH)	1077.6 x 607.8	1075.58 x 605.80
Weight	22Kg	26Kg
Bezel width	3.5mm	1.8mm
<b>Signal interface</b>		
Inputs	Video	VIDEO×4, YPbPr×1, S-VIDEO×1
	RGB	VGA×1, DVI×1
	HDMI	HDMI×1
<b>Control port</b>		
Control input	RS232	
Control output	RS232	
<b>Power supply</b>		
AC voltage	100 - 240V	
Frequency	50 - 60Hz	
Power consumption (typical)	160W	250W
<b>Working conditions</b>		
Temperature	0 - 40°C	
Relative humidity	20% - 85%, non-condensing	
<b>Storage conditions</b>		
Temperature	20 - 60°C	
Relative humidity	10% - 85%	



Unit: mm

# 55" SPECIFICATIONS

Resolution: 1920\*1080

Pixel Pitch: 0.63mm\*0.63mm

Brightness: 700cd/m<sup>2</sup>, 500cd/m<sup>2</sup>

Contrast: 3500:1, 1400:1

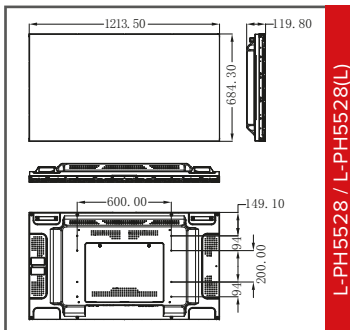
Response: 8ms, 12ms

Bezels: 1.7mm, 3.5mm

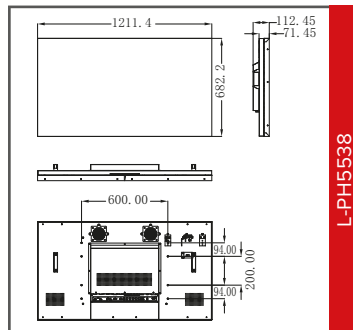


	L-PH5528	L-PH5528 (L)	L-PH5538	L-PH5538L	L-PH5548
<b>Operating parameters</b>					
Screen size (diagonal)	55"				
Panel type	SPVA	SPVA	IPS	IPS	SPVA
Resolution	1920x1080				
Backlight	Direct LED				
Pixel pitch (HxV)	0.630 x 0.630mm				
Brightness (typical)	700cd/m <sup>2</sup>	500cd/m <sup>2</sup>	700cd/m <sup>2</sup>	500cd/m <sup>2</sup>	700cd/m <sup>2</sup>
Contrast ratio (typical)	4000:1		Million:1 (dynamic contrast)		
Display colours	256 - 16.7 million		256 - 16.7 million		256 - 16.7 million
Response time (typical)	8 ms				
Viewing angle (H/V) (typical)	178° / 178°				
MTBF	≥ 50,000 hours				
<b>Physical</b>					
Dimensions (WxHxD)	1213.5 × 684.3 × 119.8mm		1211.4 × 682.2 × 112.5mm	1211.4 × 682.2 × 112.5mm	1211.8 × 682.7 × 124.8
Screen dimension (WxH)	1209.6 × 680.4mm		1209.6 mm × 680.4mm	1209.6 mm × 680.4mm	1211.54 × 682.34
Weight	27.5kg		28kg	27kg	27kg
Bezel width	3.5mm		1.8mm		1.7mm
<b>Signal Interface</b>					
Inputs	Video	VIDEO×4, YPbPr×1, S-VIDEO×1			
	RGB	VGA×1, DVI×1			
	HDMI	HDMI×1			
<b>Control port</b>					
Control input	RS232				
Control output	RS232				
<b>Power supply</b>					
AC voltage	100 - 240V				
Frequency	50 - 60Hz				
Power consumption (typical)	240W	220W	220W	160W	220W
<b>Working conditions</b>					
Temperature	0 - 40°C				
Relative humidity	20% - 85%, non-condensing				
<b>Storage conditions</b>					
Temperature	20 - 60°C				
Relative humidity	10% - 85%				

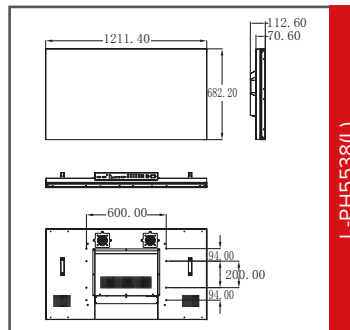
Remarks: Specifications are subject to change without prior notice.



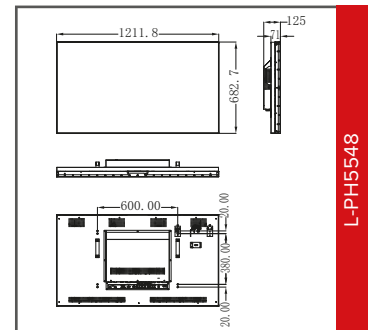
L-PH5528 / L-PH5528(L)



L-PH5538



L-PH5538(L)



L-PH5548

Unit: mm

**VTRON vsi**

Overseas Sales Operations  
HONG KONG : +852 2613-9708 / 9331-0008

Technical support centre  
Hong Kong Hotline: +852-2613-9708  
Email: technical@vtron.com

www.vtron.com  
www.vsi-ltd.com  
cywong@vtron-international.com

**VTRON**